



InterConnect
Wiring



InterConnect Wiring, Proprietary Information

...More than Electrical Wiring!

F-16 Sheet Metal Solutions & Change
F-16 Technical Coordination Group (TCG)
Worldwide Review (WWR)

12 September 2022

Presented By: Clare McGarrey, Vice President

LOCKHEED MARTIN  *Licensee for all F-16 Electrical Products*

1. InterConnect Background
2. F-16 Electrical Products
3. Brief Activity
4. Changes
5. F-16 Sheet Metal Line
6. Final Thoughts
7. Questions & Answers (Q&A)
8. Contact Information

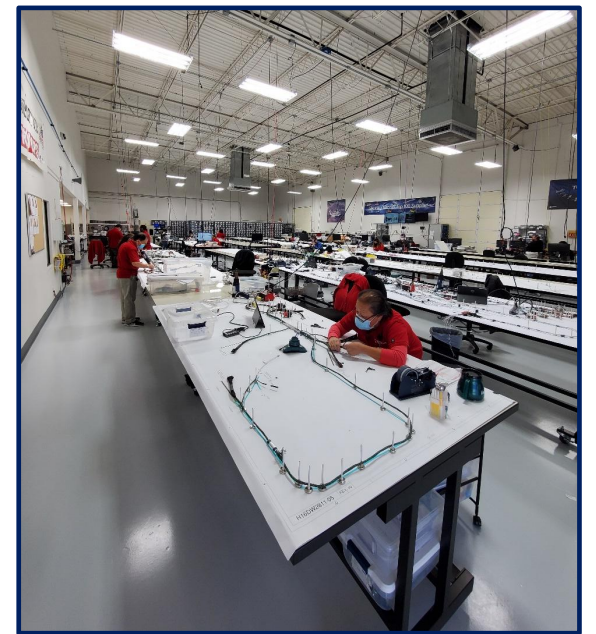




- Founded: 1993
- Location: Fort Worth, Texas
- CAGE Code: 0WW63
- Employees: 120 Employees

LOCKHEED MARTIN

Licensee of F-16 Electrical Products



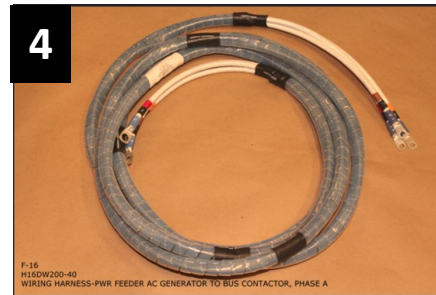
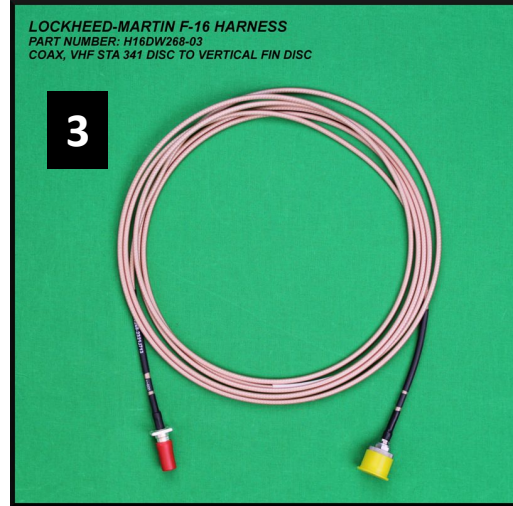
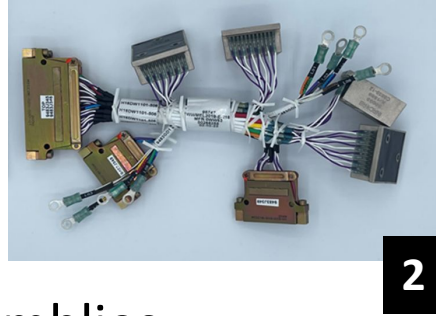
• Facilities

- ✓ Over 60,000 Square Feet of Manufacturing & Administration
- ✓ 250 Assembly Tables
- ✓ Brand New Fiber Optics Assembly Room
- ✓ Brand New Sheet Metal Shop
- Manufacturer of F-16 Wiring Harnesses, Electrical Panels, Modification Kits, and Sheet Metal Parts.
- The #1 F-16 Wiring Harness and Electrical Panel Company Worldwide!



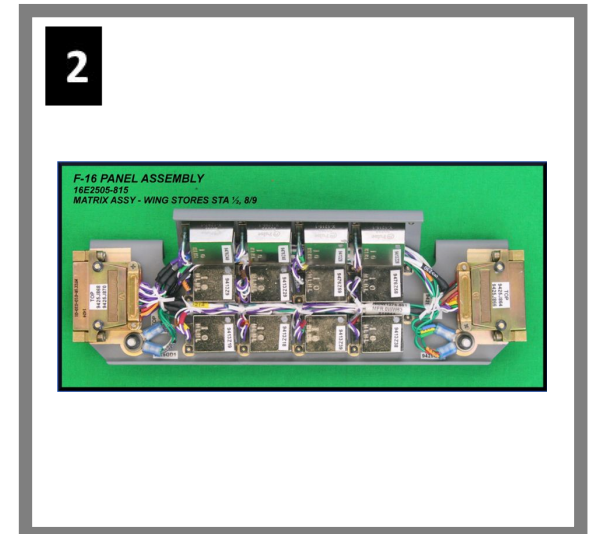
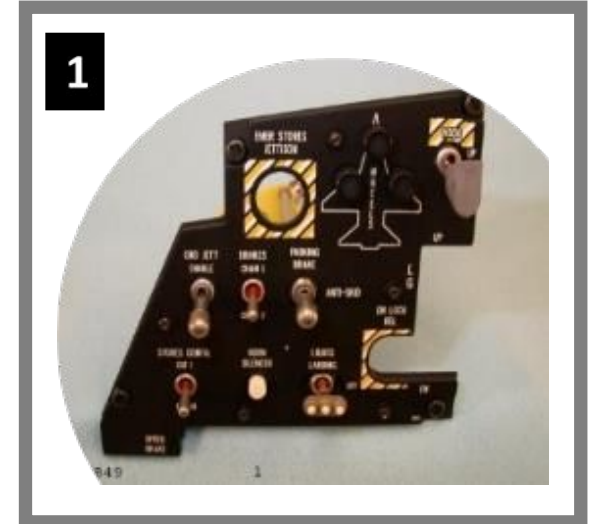
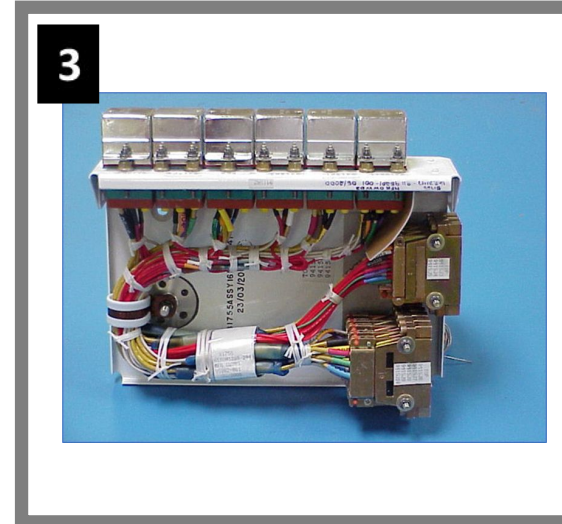
Harnesses

1. Trunk Harnesses
2. Panel Harnesses
3. Coax Cables
4. Power Feeders
5. Fiber Optic Cable Assemblies
6. Ground Support Equipment (GSE)



ical Products: Panel Assemblies

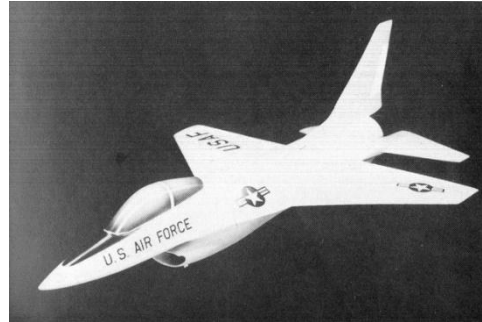
1. Cockpit Panels
2. Multiplex or Mux Panel Assemblies
3. Relay Panel Assemblies
4. Power/Circuit Breaker Panels





CHANGE ACTIVITY

Model LWF-401-16B...
the definitive
configuration.
(GD photo)



YF-16 (#01568)



F-16XL Ship no. 2 (#848)
involved in supersonic laminar
flow testing [NASA photo]



F-16 Block 50/52



F-16 Block 70/72





Today, we continue to proudly support the F-16 along with many other platforms.

We then branched out to F-16 complete aircraft rewiring.



Even our logo has changed three times and we created special artwork encompassing our Mission, Why Statement, and Core Values.

Connections Matter



Once we expanded into F-16 electrical panels, we dropped "Harnesses" from our company name and logo.









Began as 100% F-16 wiring harness company supporting Hill AFB.

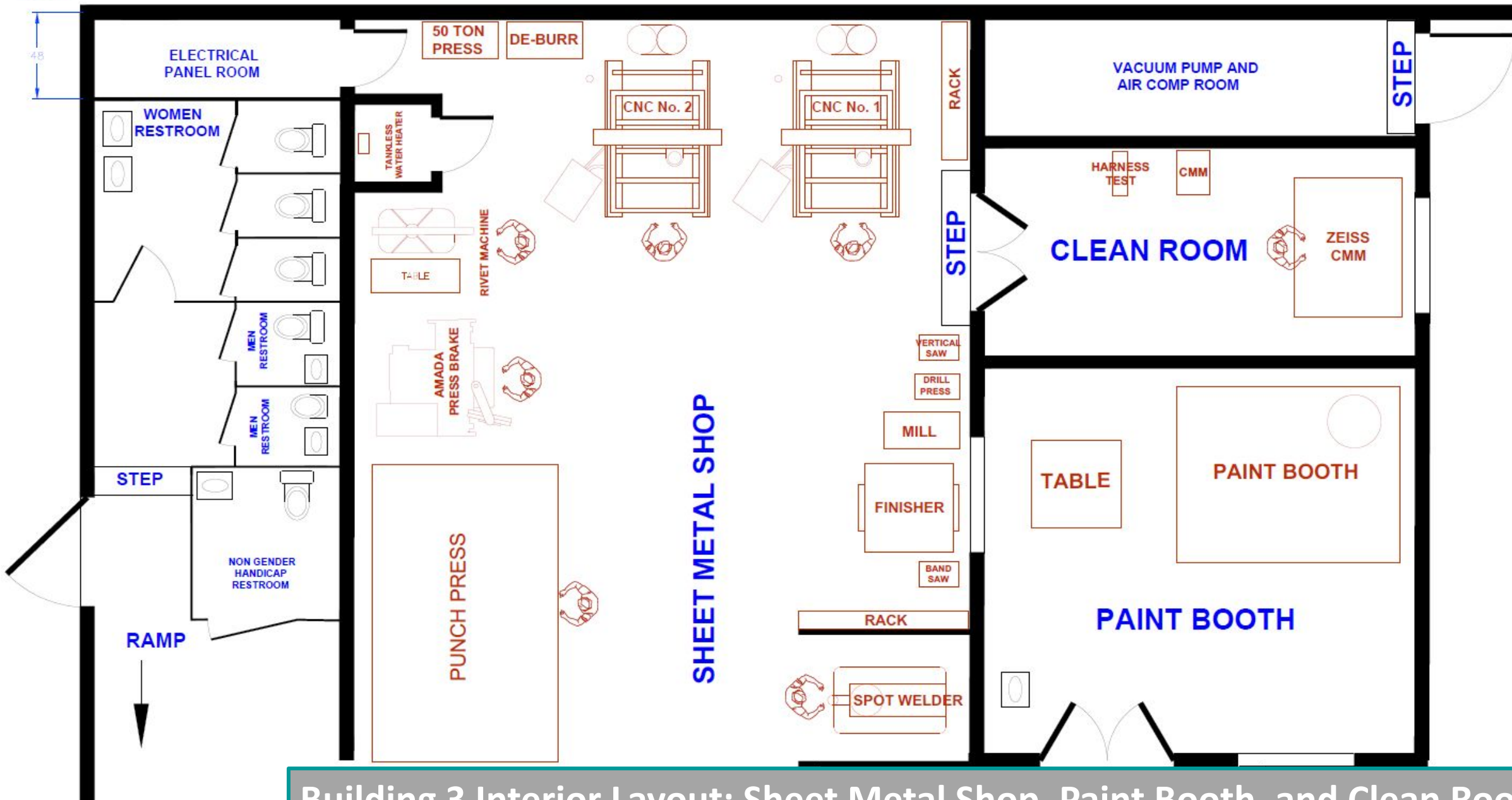
www.interconnect-wiring.com

InterConnect Wiring has been in business for almost 30 years.

Change. Invested in New Facilities

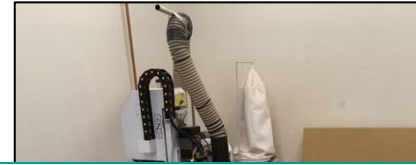


-  Building 1 – Wiring Harnesses
-  Building 2 – Wiring Harnesses, Electrical Panels, and Modification Kits
-  Building 3 – Sheet Metal & Fiber Optics
-  Building 4 – Wiring Harnesses
-  Building 5 – Wire and Shrink Tubing Storage
-  Building 6 - Storage



Building 3 Interior Layout: Sheet Metal Shop, Paint Booth, and Clean Room

1. Cut Aluminum Sheets Using Routers
2. Rockwell Hardness Testing (QCS-001 Special Process)



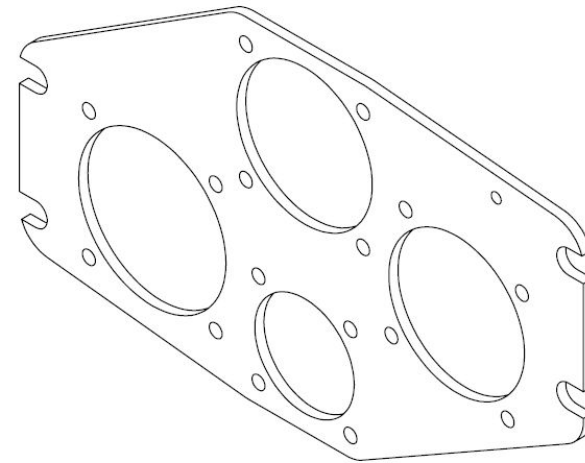
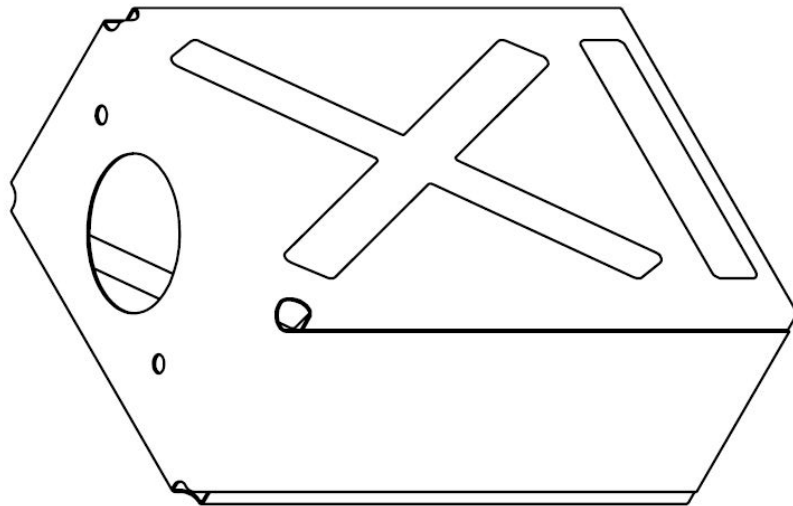
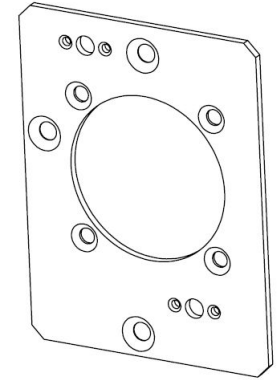
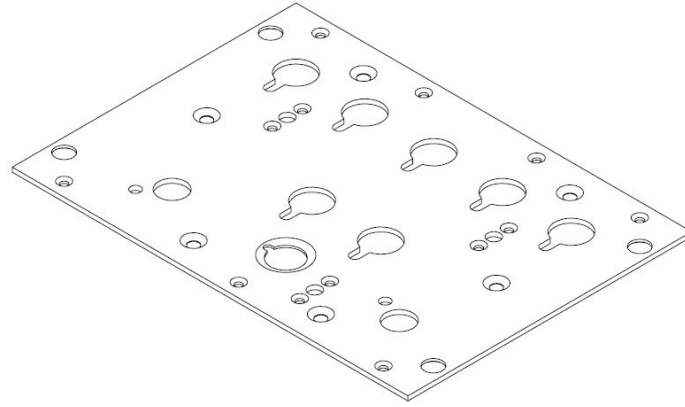
Lockheed Martin Aeronautics QCS-001 Site Visit Results: InterConnect Wiring Reviewed and Approved Supplier!

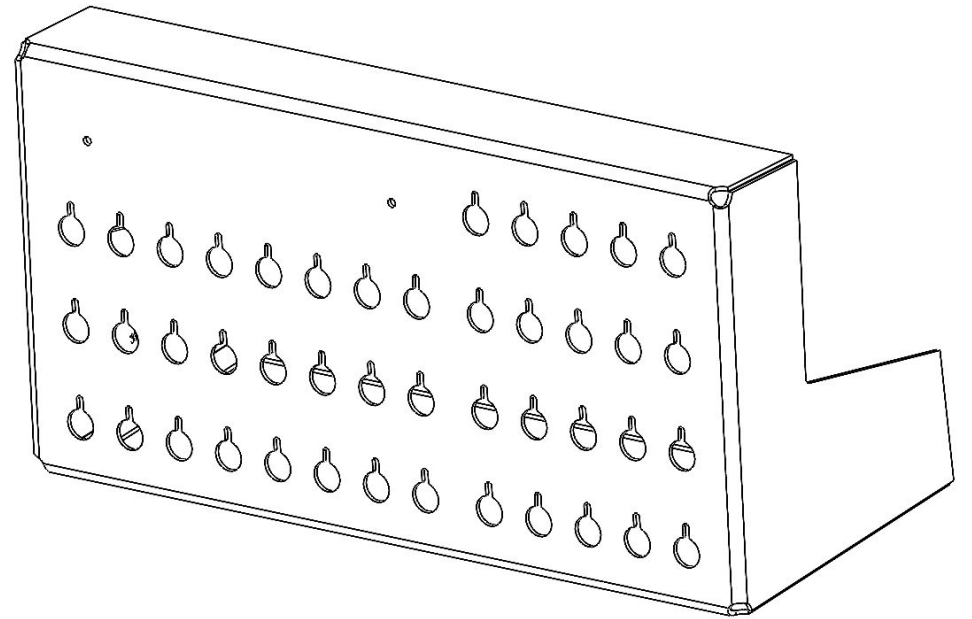
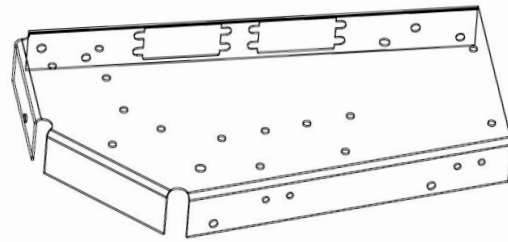
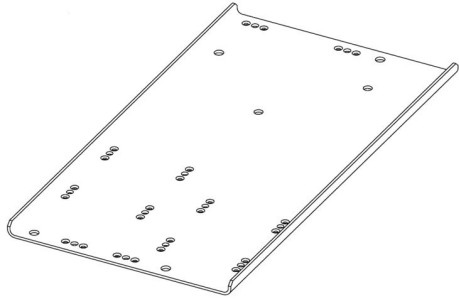
- 3.
- 4.
- 5.
- 6.
7. Application of Primer & Paint (QCS-001 Special Process)
8. Spot Weld (QCS-001 Special Process)
9. Machining of Aluminum



Change: New Product Line: Sheet Metal

1. Cockpit Panel
 - Connector Plates
 - Switch Plates
 - Dust Covers



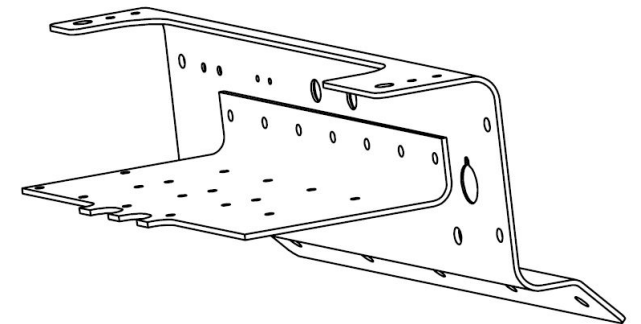
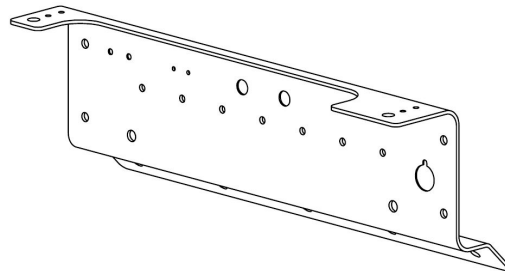


2. Mux Panel

- Tray Assemblies

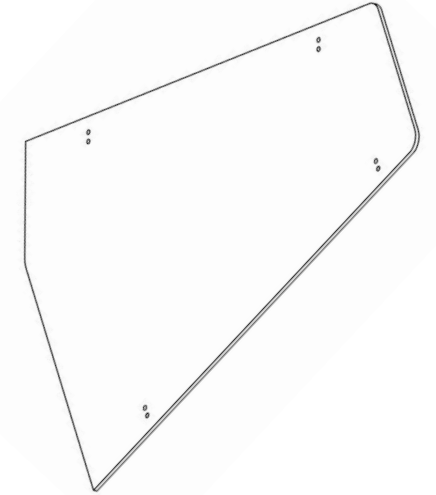
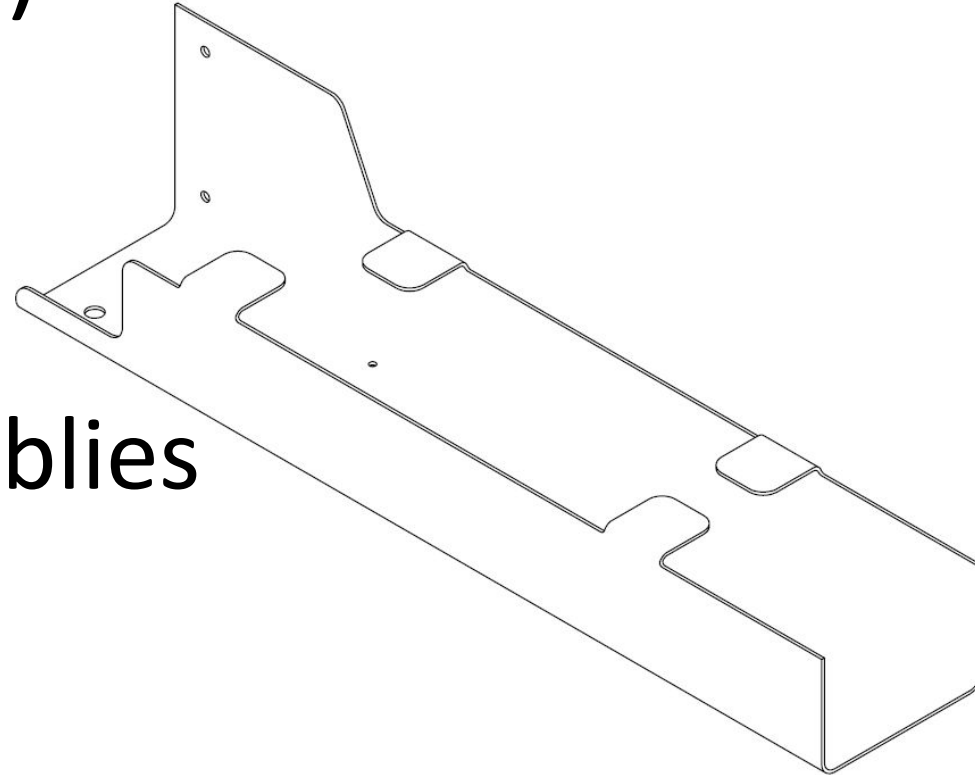
3. Power/Circuit Breaker Panel

- Box Assemblies



New Product Line: Sheet Metal (Cont.)

4. Relay Panel
- Tray Assemblies
 - Covers



Something to think about...

Reminder Video

Questions?



**Stop by the InterConnect Booth
for a AHEAD golf cap!**

Located on Ground Floor, Across from Lockheed Martin

Contact Information



**Connections
Matter**



www.interconnect-wiring.com

John Ashour

President

john.b.ashour@interconnect-wiring.com

Clare McGarrey

Vice President

clare.e.mcgarrey@interconnect-wiring.com

Joseph Rodriguez

Marketing & BD Specialist

joseph.p.rodriguez@interconnect-wiring.com

InterConnect Wiring

5024 West Vickery Blvd.

Fort Worth, TX 76107 USA

Tel: +1.817.377.9473

[**InterConnect Wiring Virtual Tour**](#)

**Change is
inevitable.
Growth is
optional.**

THANK YOU!